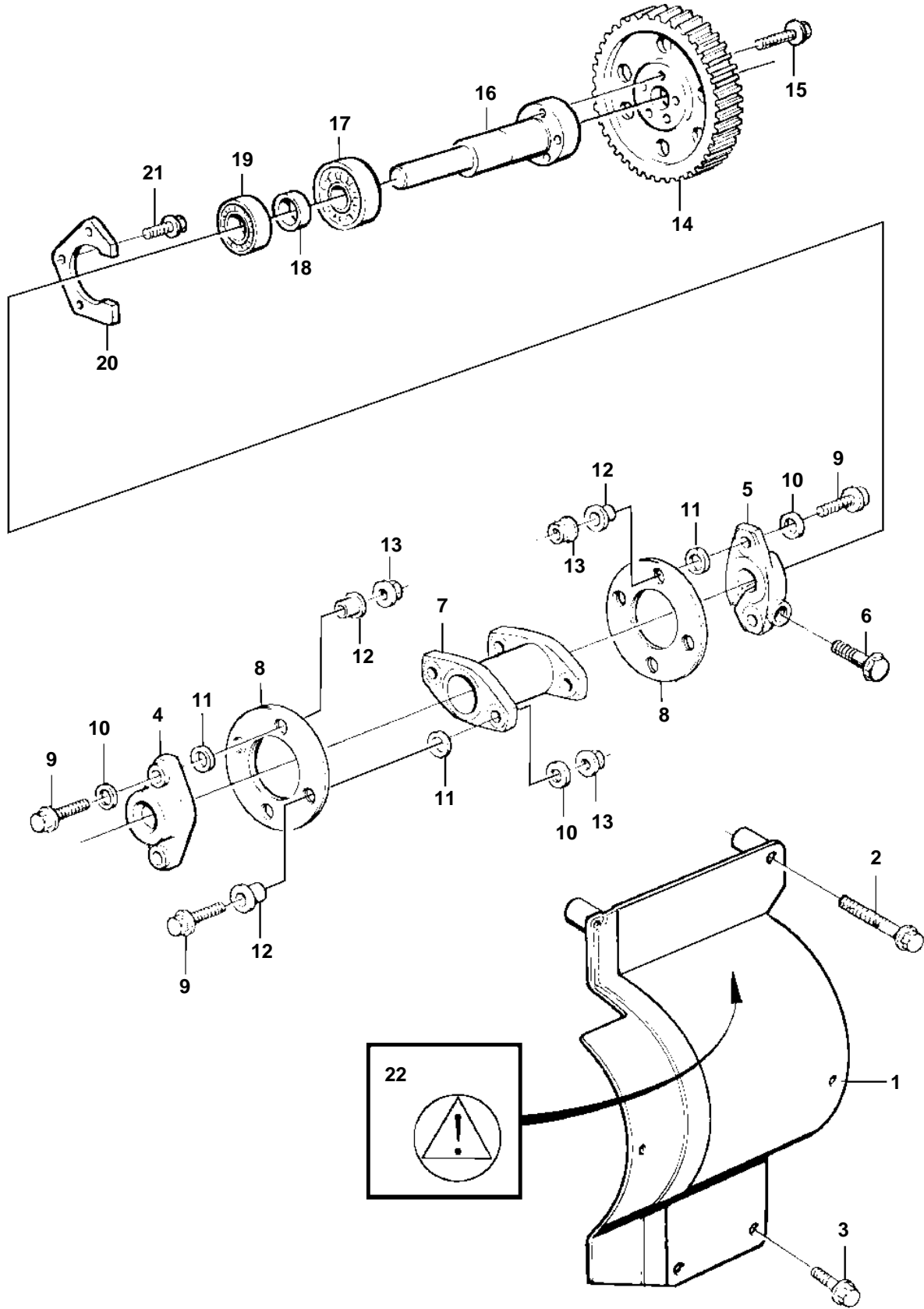


TAMD162C-C, TAMD163A-A



TAMD162C-C, TAMD163A-A

REF	PART NO.	QTY	DESCRIPTION	NOTES
1	863552	1	Pump coupling guard	
2	946470	1	Flange screw	
3	947107	2	Flange screw	
4	1543975	1	Companion flange, rear	
5	1547352	1	Companion flange, front	
6	471529	1	Screw	
7	1543804	1	Intermediate section	
8	479458	8	Disc	
9	965185	8	Flange screw	
10	976945	8	Washer	(960148)
11	479399	8	Washer	
12	478897	8	Sleeve	
13	971095	8	Nut	
14	1543447	1	Gear	
15	946752	5	Flange screw	
16	1543551	1	Shaft	
17	184708	1	Ball bearing	
18	1546132	1	Stop ring	
19	11014	1	Ball bearing	
20	1543464	1	Lock washer	
21	945444	3	Flange screw	
22	3827294	1	Decal	